

**SINGER**  
**20U51,53,62,63**

# ILLUSTRATED PARTS LIST

## FOR **SINGER**

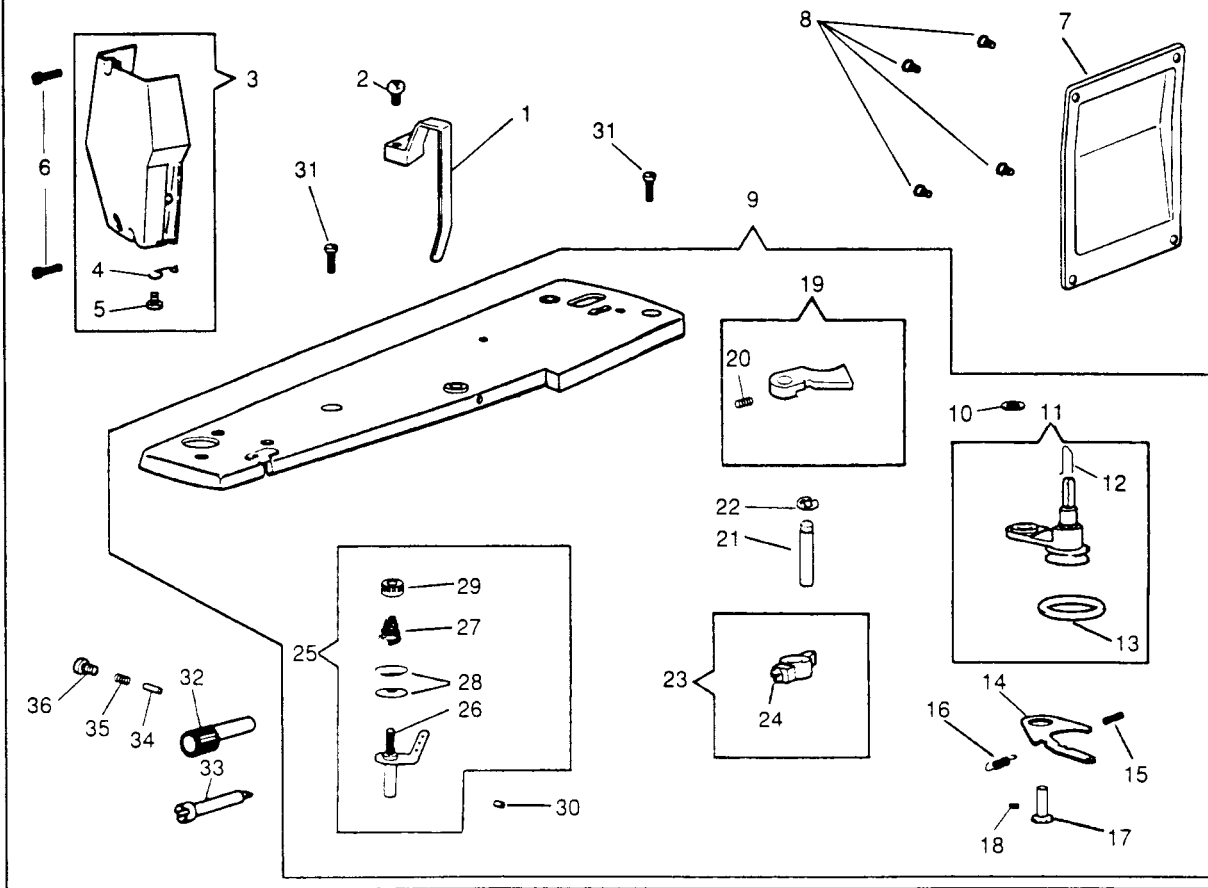
### MACHINES

20U	51
	53
	62
	63

# CONTENTS

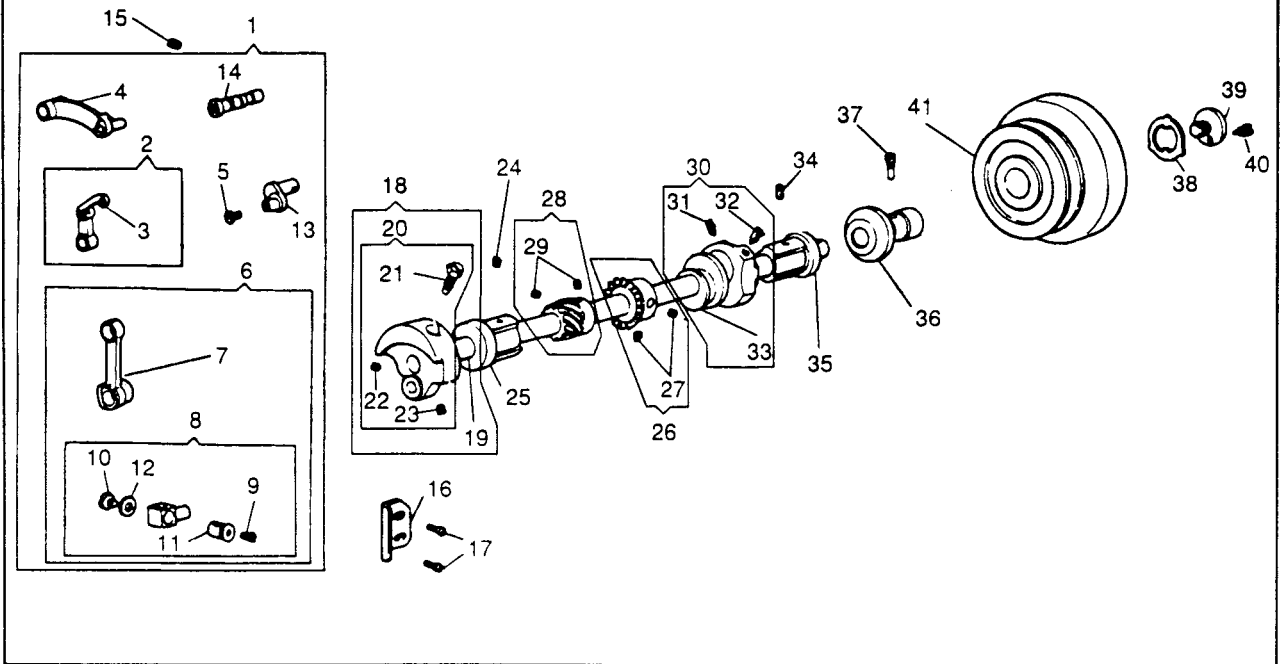
FACE PLATE, ARM TOP COVER, ARM SIDE COVER .....	1
THREAD TAKE-UP, ARM SHAFT, HAND WHEEL .....	2
NEEDLE BAR, PRESSER BAR, THROAT PLATE .....	3
ZIGZAG TRIANGULAR CAM, HOOK ADVANCING CRANK .....	4
BIGHT AMPLITUDE,BIGHT AND L-C-R POSITION .....	5
ARM SHAFT(UPRIGHT), ROTATING HOOK DRIVE SHAFT .....	6
HOOK, BOBBIN CASE .....	7
FEED REGULATING DIAL, FEED REVERSE LEVER .....	8
FEED MECHANISM .....	9
PRESSER BAR LIFTER, TENSION .....	10
ACCESSORIES AND ATTACHMENT .....	11
PARTS AVAILABLE AT EXTRA CHARGE .....	12

FACE PLATE, ARM TOP COVER, ARM SIDE COVER



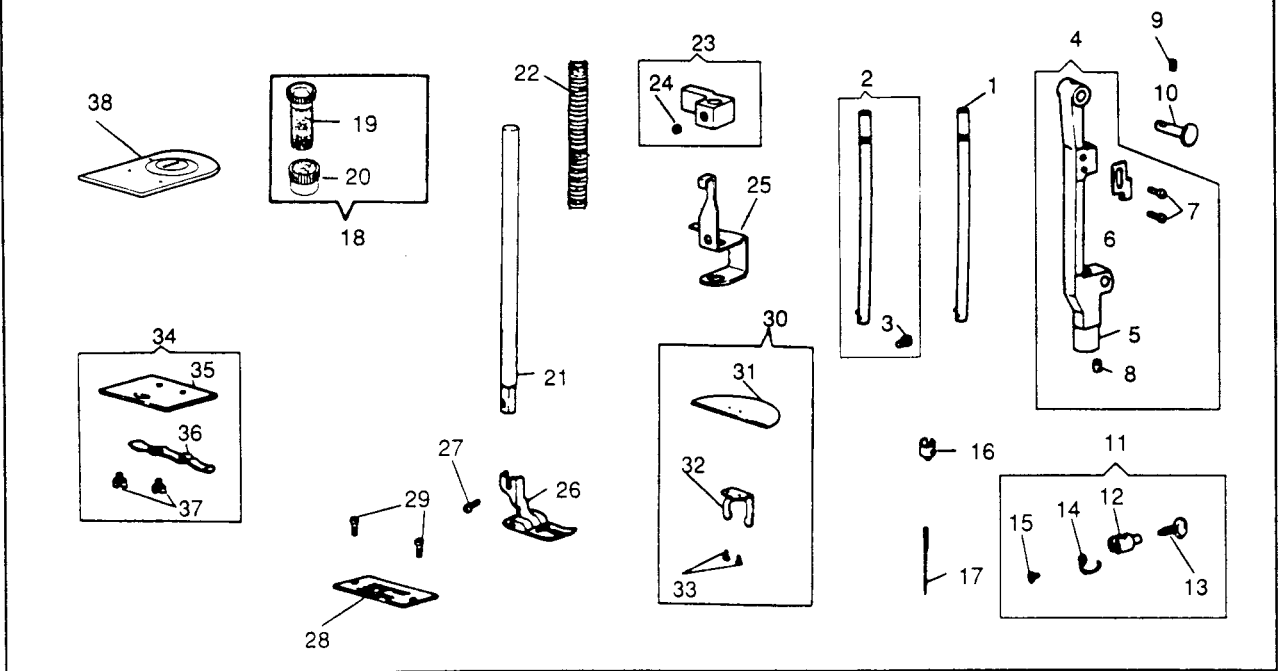
NO.	PART NO.	U51	U53	U62	U63	QTY	DESCRIPTION
1	554113-383	*	*	*	*	1	Thread Take-up Guard
2	544217-004	*	*	*	*	1	Thread Take-up Guard Screw
3	554114-469	*	*	*	*	1	Face Plate Comp.
4	554117	*	*	*	*	1	Face Plate Thread Guide
5	544216-052	*	*	*	*	1	Face Plate Thread Guide Screw
6	544212-054	*	*	*	*	2	Face Plate Screw
7	554118-385	*	*	*	*	1	Arm Side Cover
8	544212-052	*	*	*	*	4	Arm Side Cover Set Screw
9	554119-469	*	*	*	*	1	Arm Top Cover Comp.
10	554142	*	*	*	*	1	Bobbin Winder Bracket Spacer
11	554122	*	*	*	*	1	Bobbin Winder Bracket Comp.
12	543784-900	*	*	*	*	1	Bobbin Winder Friction Wheel Spring
13	543871-020	*	*	*	*	1	Bobbin Winder Friction O-ring
14	546846	*	*	*	*	1	Bobbin Winder Bracket Regulating Plate
15	408074	*	*	*	*	1	Bobbin Winder Bracket Regulating Plate Spring
16	546847	*	*	*	*	1	Bobbin Winder Bracket Spring
17	554126	*	*	*	*	1	Bobbin Winder Bracket Hinge Stud
18	544203-002	*	*	*	*	1	Bobbin Winder Bracket Hinge Set Screw
19	550032	*	*	*	*	1	Bobbin Winder Lever Comp.
20	544208-005	*	*	*	*	1	Bobbin Winder Lever Set Screw
21	368025	*	*	*	*	1	Bobbin Winder Lever Stud
22	543860-005	*	*	*	*	1	Bobbin Winder Lever Stud Ring
23	368026	*	*	*	*	1	Bobbin Winder Regulating Comp.
24	544208-005	*	*	*	*	1	Bobbin Winder Regulating Screw
25	368029	*	*	*	*	1	Bobbin Winder Tension Comp.
26	368030	*	*	*	*	1	Bobbin Winder Tension Stud Comp.
27	547246	*	*	*	*	1	Bobbin Winder Tension Spring
28	547247	*	*	*	*	2	Bobbin Winder Tension Disc
29	368033	*	*	*	*	1	Bobbin Winder Tension Regulating Thumb Nut
30	544203-002	*	*	*	*	1	Bobbin Winder Tension Set Screw
31	544213-002	*	*	*	*	2	Arm Top Cover Screw
32	554127	*	*	-	*	1	Needle Bar Frame Clamping Stud
33	549354	*	*	-	*	1	Needle Bar Frame Clamping Stud Screw
34	554128	*	*	-	*	1	Needle Bar Frame Clamping Stud Stopper Pin
35	554144	*	*	-	*	1	Needle Bar Frame Clamping Stud Stopper Spring
36	544212-001	*	*	-	*	1	Needle Bar Frame Clamping Stud Stopper Spring Screw

# THREAD TAKE-UP, ARM SHAFT, HAND WHEEL



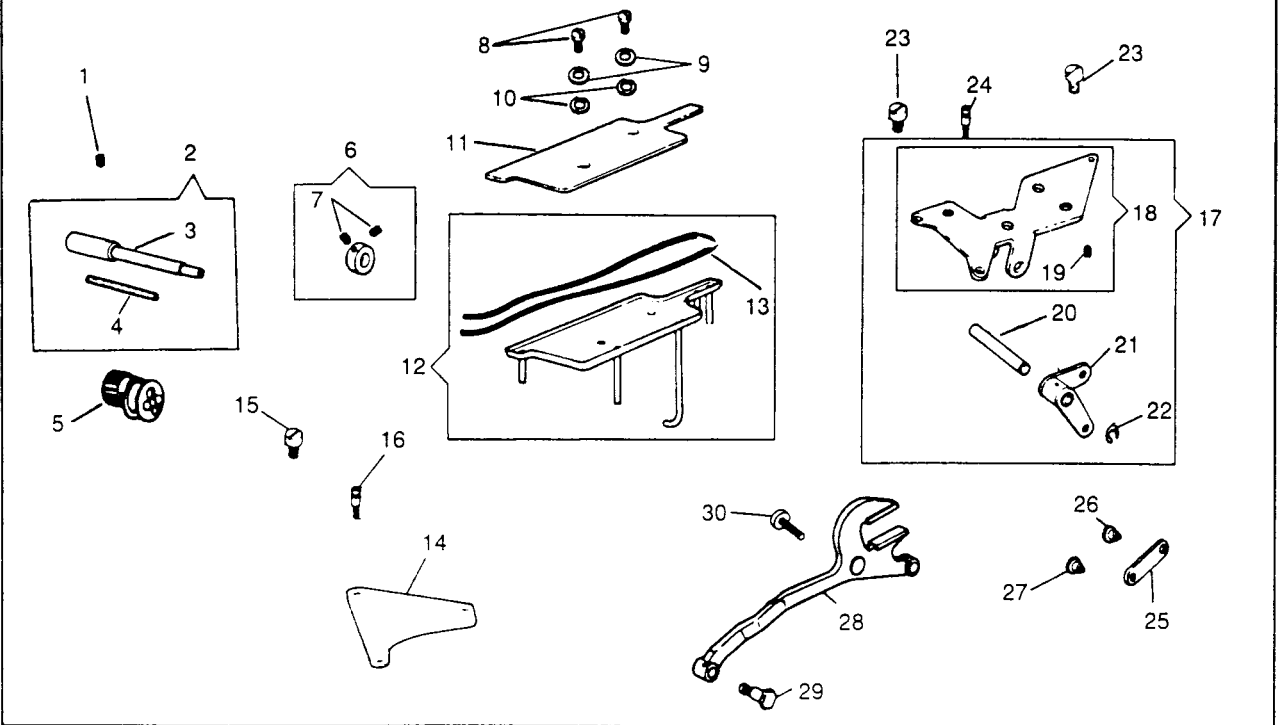
NO.	PART NO.	U51	U53	U62	U63	QTY	DESCRIPTION
1	543953	*	*	*	*	1	Thread Take-up Comp.
2	541708	*	*	*	*	1	Thread Take-up Lever With Thread Eyelet Bushing
3	52130	*	*	*	*	1	Thread Take-up Lever Thread Eyelet Bushing
4	52024	*	*	*	*	1	Thread Take-up Lever Link
5	504057	*	*	*	*	1	Needle Bar Connecting Link Cap Screw
6	543935	*	*	*	*	1	Needle Bar Connecting Link Comp.
7	410014	*	*	*	*	1	Needle Bar Connecting Link
8	543937	*	*	*	*	1	Needle Bar Connecting Stud Comp.
9	504091	*	*	*	*	1	Needle Bar Set Screw
10	545001	*	*	*	*	1	Needle Bar Connecting Stud Hinge Pin Screw
11	541664	*	*	*	*	1	Needle Bar Connecting Stud Hinge Pin
12	541665	*	*	*	*	1	Needle Bar Connecting Stud Hinge Pin Washer
13	541707	*	*	*	*	1	Thread Take-up Crank
14	505372	*	*	*	*	1	Thread Take-up Lever Link Hinge Pin
15	504002	*	*	*	*	1	Thread Take-up Lever Link Hinge Pin Set Screw
16	541927	*	*	*	*	1	Needle Bar Connecting Link Guide
17	504063-451	*	*	*	*	2	Needle Bar Connecting Link Guide Scerw
18	541753	*	*	*	*	1	Arm Shaft (Horizontal) And Needle Bar Crank Comp.
19	541605	*	*	*	*	1	Arm Shaft (Horizontal)
20	505339	*	*	*	*	1	Needle Bar Crank Comp.
21	504120	*	*	*	*	1	Needle Bar Crank Position Scerw
22	504095	*	*	*	*	1	Thread Take-up Crank Position Screw
23	504101	*	*	*	*	1	Thread Take-up Crank Set Screw
24	549152	*	*	*	*	1	Arm Shaft (Horizontal) Flanged Bushing (Front) Set Screw
25	546919	*	*	*	*	1	Arm Shaft (Horizontal) Flanged Bushing (Front)
26	541606	*	*	*	*	1	Arm Shaft (Horizontal) Bevel Gear Comp.
27	504066	*	*	*	*	2	Arm Shaft (Horizontal) Bevel Gear Set Screw
28	541607	*	*	*	*	1	Arm Shaft (Horizontal) Worm Gear Comp.
29	504028	*	*	*	*	2	Arm Shaft (Horizontal) Worm Gear Set Screw
30	413493	*	*	-	*	1	Feed And Feed Lifting Eccentric Comp.
31	504069	*	*	-	*	1	Feed And Feed Lifting Eccentric Position Screw
32	504070	*	*	-	*	1	Feed And Feed Lifting Eccentric Set Screw
33	543866-022	*	*	-	*	1	Feed And Feed Lifting Eccentric Ring
34	549152	*	*	*	*	1	Arm Shaft (Horizontal) Flanged Bushing (Back) Set Screw
35	546932	*	*	*	*	1	Arm Shaft (Horizontal) Flanged Bushing (Back)
36	32618	*	*	*	*	1	Clamp Stop Motion Flanged Bushing
37	504067	*	*	*	*	1	Clamp Stop Motion Flanged Bushing Set Screw
38	505009	*	*	*	*	1	Clamp Stop Motion Clamp Washer
39	415763-383	*	*	*	*	1	Clamp Stop Motion Clamp Screw
40	154756	*	*	*	*	1	Clamp Stop Motion Clamp Stop Screw
41	554129-467	-	*	*	*	1	Hondwheel (For Motor Drive)

# NEEDLE BAR, PRESSER BAR, THROAT PLATE



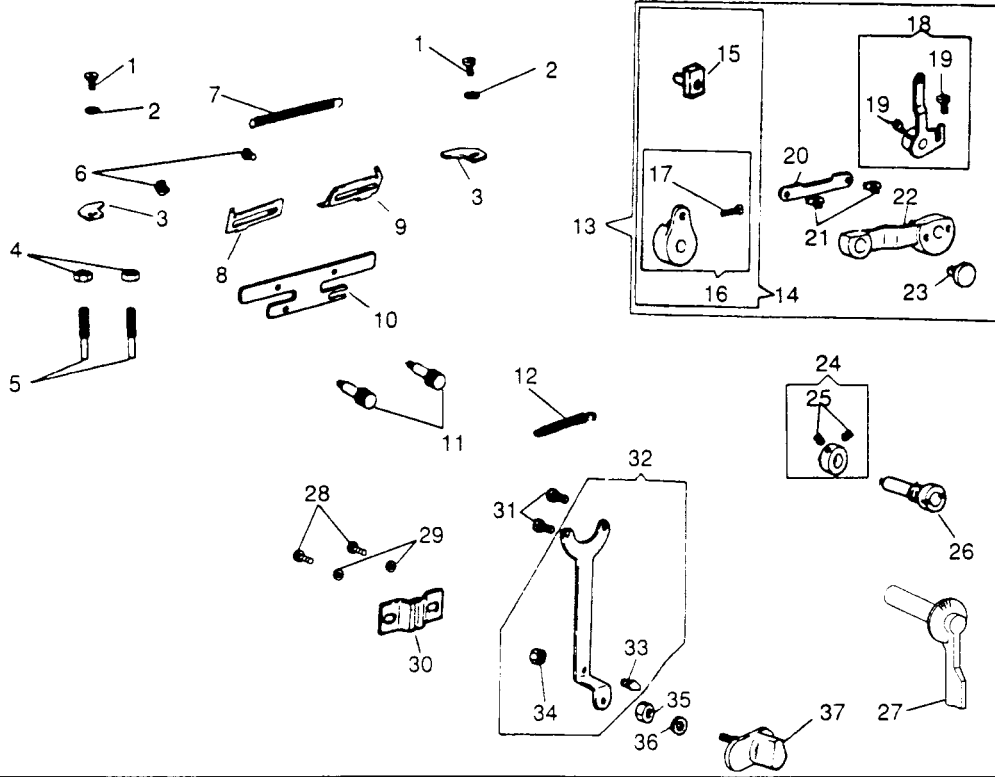
NO.	PART NO.	U51	U53	U62	U63	QTY	DESCRIPTION
1	541657	*	*	-	-	1	Needle Bar (Hollow)
2	543933	-	-	*	*	1	Needle Bar (Hollow) Comp.
3	504112	-	-	*	*	1	Needle Set Screw
4	541933	*	*	*	*	1	Needle Bar Frame Comp.
5	541921	*	*	*	*	1	Needle Bar Frame
6	541770	*	*	*	*	1	Needle Bar Timing Indicator Plate
7	549336	*	*	*	*	2	Needle Bar Timing Indicator Plate Screw
8	549290	*	*	*	*	1	Zig Zag Stitch Regulator Fork Eccentric Connection Pin Set Screw
9	504134	*	*	*	*	1	Needle Bar Frame Pin Set Screw
10	541922	*	*	*	*	1	Needle Bar Frame Pin
11	541788	*	*	-	-	1	Needle Clamp Comp.
12	541667	*	*	-	-	1	Needle Clamp
13	504027	*	*	-	-	1	Needle Clamp Thumb Screw
14	541787	*	*	-	-	1	Needle Clamp Thread Guard
15	545180	*	*	-	-	1	Needle Clamp Thread Guard Set Screw
16	543938	-	-	*	*	1	Needle Bar Thread Guard
17	N1910-0510	-	-	*	-	1	Needle (size #10)
	N1910-0514	*	*	-	*	1	Needle (size #14)
18	413486-383	*	*	-	*	1	Presser Regulating Thumb Screw Nut Comp.
19	413487-383	*	*	-	*	1	Presser Regulating Thumb Screw
20	376424-383	*	*	-	*	1	Presser Regulating Thumb Screw Nut
21	541985	*	*	-	*	1	Presser Bar
22	56046	*	*	-	*	1	Presser Bar Spring
23	546822	*	*	-	*	1	Presser Bar Guide Bracket Comp.
24	504028	*	*	-	*	1	Presser Bar Guide Bracket Screw
25	546828	*	*	-	*	1	Presser Bar Lifting And Releasing Lever Bracket
26	541566	*	*	-	*	1	Presser Foot (Spring Hinged) Comp.
	543939	-	-	*	*	1	Presser Foot (Spring Hinged) Comp.
27	504063-451	*	*	-	*	1	Presser Foot Screw
28	541936-452	*	*	-	*	1	Throat Plate
	543977	-	-	*	*	1	Throat Plate
29	691-845	*	*	-	*	2	Throat Plate Screw
30	541773-452	*	*	-	*	1	Bed Plate Comp.
31	541771-452	*	*	-	*	1	Bed Plate
32	541772	*	*	-	*	1	Bed Plate Bracket
33	154785-451	*	*	-	*	2	Bed Plate Bracket Screw
34	541620-452	*	*	-	*	1	Bed Slide Comp.
35	541619-452	*	*	-	*	1	Bed Slide
36	154884	*	*	-	*	1	Bed Slide Spring
37	154789-451	*	*	-	*	2	Bed Slide Spring Screw
38	410076	-	-	*	-	1	Throat Plate Comp.

# ZIGZAG TRIANGULAR CAM, HOOK ADVANCING CRANK



NO.	PART NO.	U51	U53	U62	U63	QTY	DESCRIPTION
1	504002	*	*	*	*	1	Zigzag Triangular Cam Shaft Set Screw
2	410035	*	*	*	*	1	Zigzag Triangular Cam Shaft Comp.
3	410036	*	*	*	*	1	Zigzag Triangular Cam Shaft
4	505513	*	*	*	*	1	Zigzag Triangular Cam Shaft Oil Wick
5	410031	*	*	-	-	1	Zigzag Triangular Cam Gear And Cam Comp.
	410056	-	-	*	*	1	Zigzag Triangular Cam Gear And Cam Comp.
6	410033	*	*	*	*	1	Zigzag Triangular Cam Shaft Coller Comp.
7	544204-001	*	*	*	*	2	Zigzag Triangular Cam Shaft Coller Set Screw
8	504063-451	*	*	*	*	2	Oil Reservoir Set Screw
9	542020	*	*	*	*	2	Oil Reservoir Set Screw Washer
10	543805-003	*	*	*	*	2	Oil Reservoir Set Screw Spring Lock Washer
11	410046	*	*	*	*	1	Oil Reservoir Felt
12	410044	*	*	-	-	1	Oil Reservoir Comp.
	410062	-	-	*	*	1	Oil Reservoir Comp.
13	410047	*	*	-	-	1	Oil Reservoir Oil Wick
	410064	-	-	*	*	1	Oil Reservoir Oil Wick
14	410048	*	*	-	-	1	Oil Reservoir Plate
15	504019	*	*	-	-	1	Oil Reservoir Plate Set Screw (Back)
16	544151	*	*	-	-	1	Oil Reservoir Plate Set Screw (Front)
17	543965	-	-	*	*	1	Hook Advancing Crank And Crank Bracket Comp.
18	543964	-	-	*	*	1	Hook Advancing Crank Bracket Comp.
19	504048	-	-	*	*	1	Hook Advancing Crank Shaft Set Screw
20	543930	-	-	*	*	1	Hook Advancing Crank Shaft
21	543962	-	-	*	*	1	Hook Advancing Crank
22	543948	-	-	*	*	1	Hook Advancing Crank Shaft Snap Ring
23	504019	-	-	*	*	2	Hook Advancing Crank Bracket Set Screw (Left) (Right)
24	544151	-	-	*	*	1	Hook Advancing Crank Bracket Set Screw (Front)
25	543929	-	-	*	*	1	Hook Advancing Crank Link
26	544152	-	-	*	*	1	Hook Advancing Crank Link Hinge Screw (Back)
27	544153	-	-	*	*	1	Hook Advancing Crank Link Hinge Screw (Front)
28	541711	*	*	-	-	1	Zigzag Stitch Regulator Fork
	410060	-	-	*	*	1	Zigzag Stitch Regulator Fork
29	541712	*	*	*	*	1	Zigzag Stitch Regulator Fork Eccentric Connection Pin
30	545354	*	*	-	-	1	Bight Amplitude Side Block Cap Screw

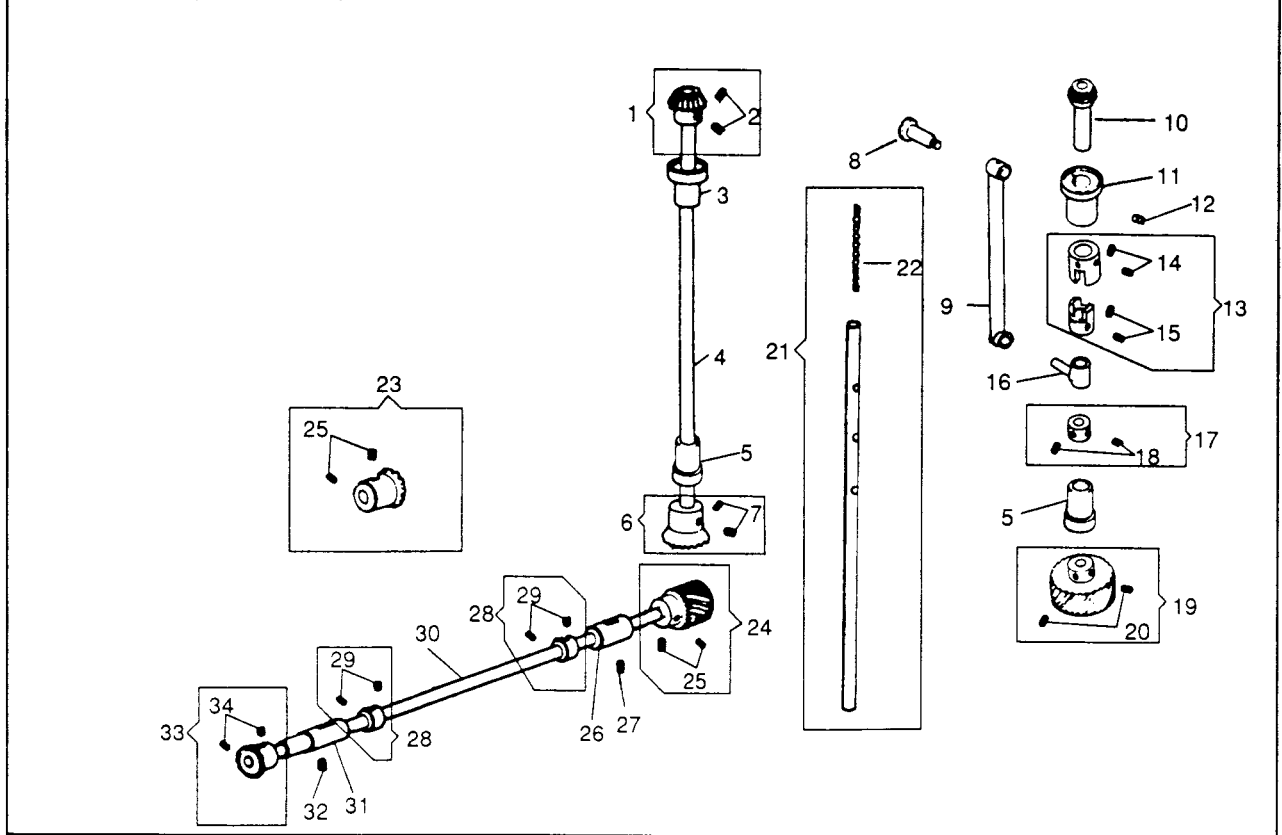
BIGHT AMPLITUDE, BIGHT AND L-C-R POSITION



NO.	PART NO.	U51	U53	U62	U63	QTY	DESCRIPTION
1	504084	*	*	*	*	2	Bight Amplitude Stop Plate (left) (Right) Screw
2	548061	*	*	*	*	2	Bight Amplitude Stop Plate (left) (Right) Washer
3	541916	*	*	*	*	2	Bight Amplitude Stop Plate (left) (Right)
4	545495	*	*	*	*	2	Bight And L-C-R Position Lever Arm Regulating Screw Nut
5	549387	*	*	*	*	2	Bight And L-C-R Position Lever Arm Regulating Screw
6	549356	*	*	*	*	2	Bight Amplitude Regulating Plate Holder Set Screw
7	541630	*	*	*	*	1	Bight Amplitude Regulating Plate Spring
8	541912	*	*	*	*	1	Bight Amplitude Regulating Plate (Left)
9	541913	*	*	*	*	1	Bight Amplitude Regulating Plate (Right)
10	541946	*	*	*	*	1	Bight Amplitude Regulating Plate Holder
11	374565	*	*	*	*	2	Bight Amplitude Regulating Plate Thumb Screw
12	541639	*	*	*	*	1	Bight Amplitude Slide Block Crank Spring
13	541928	*	*	-	-	1	Bight Amplitude Slide Block Crank And Guide Comp.
	410072	-	-	*	*	1	Bight Amplitude Slide Block Crank And Guide Comp.
14	541756	*	*	-	-	1	Bight Amplitude Slide Block Guide And Slide Block
	410073	-	-	*	*	1	Bight Amplitude Slide Block Guide And Slide Block
15	541631	*	*	*	*	1	Bight Amplitude Slide Block
16	541641	*	*	-	-	1	Bight Amplitude Slide Block Guide Comp.
	410074	-	-	*	*	1	Bight Amplitude Slide Block Guide Comp.
17	545098	*	*	*	*	1	Bight Amplitude Slide Block Guide Stud Set Screw
18	541967	*	*	*	*	1	Bight Amplitude Slide Block Crank Comp.
19	549181	*	*	*	*	2	Bight Amplitude Slide Block Crank Set Screw
20	541634	*	*	*	*	1	Bight Amplitude Slide Block Crank Link
21	549288	*	*	*	*	2	Bight Amplitude Slide Block Crank Link Hinge Screw
22	541910	*	*	*	*	1	Bight And L-C-R Position Lever Arm
23	541642	*	*	*	*	1	Bight Amplitude Slide Block Guide Stud
24	541637	*	*	*	*	1	Bight Amplitude Slide Block Crank Shaft Bushing Coller Comp.
25	504007	*	*	*	*	2	Bight Amplitude Slide Block Crank Shaft Bushing Coller Set Screw
26	541636	*	*	*	*	1	Bight Amplitude Slide Block Crank Shaft Bushing
27	554139-383	*	*	*	*	1	Bight Amplitude Slide Block Crank Shaft knob Comp.
28	545092	*	*	*	*	2	Bight And L-C-R Position Block Set Screw
29	549426	*	*	*	*	2	Bight And L-C-R Position Block Washer
30	541909	*	*	-	-	1	Bight And L-C-R Position Block
	410061	-	-	*	*	1	Bight And L-C-R Position Block
31	504145	*	*	*	*	2	Bight And L-C-R Position Lever Set Screw
32	541623	*	*	*	*	1	Bight And L-C-R Position Lever Comp.
33	549285	*	*	*	*	1	Bight And L-C-R Position Lever Screw Pin
34	545413	*	*	*	*	1	Bight And L-C-R Position Lever Screw Pin Nut
35	504507	*	*	*	*	1	Bight And L-C-R Position Lever Thumb Stud Nut
36	547671	*	*	*	*	1	Bight And L-C-R Position Lever Thumb Stud Nut Spring Washer
37	554140-383	*	*	*	*	1	Bight And L-C-R Position Lever Thumb Stud

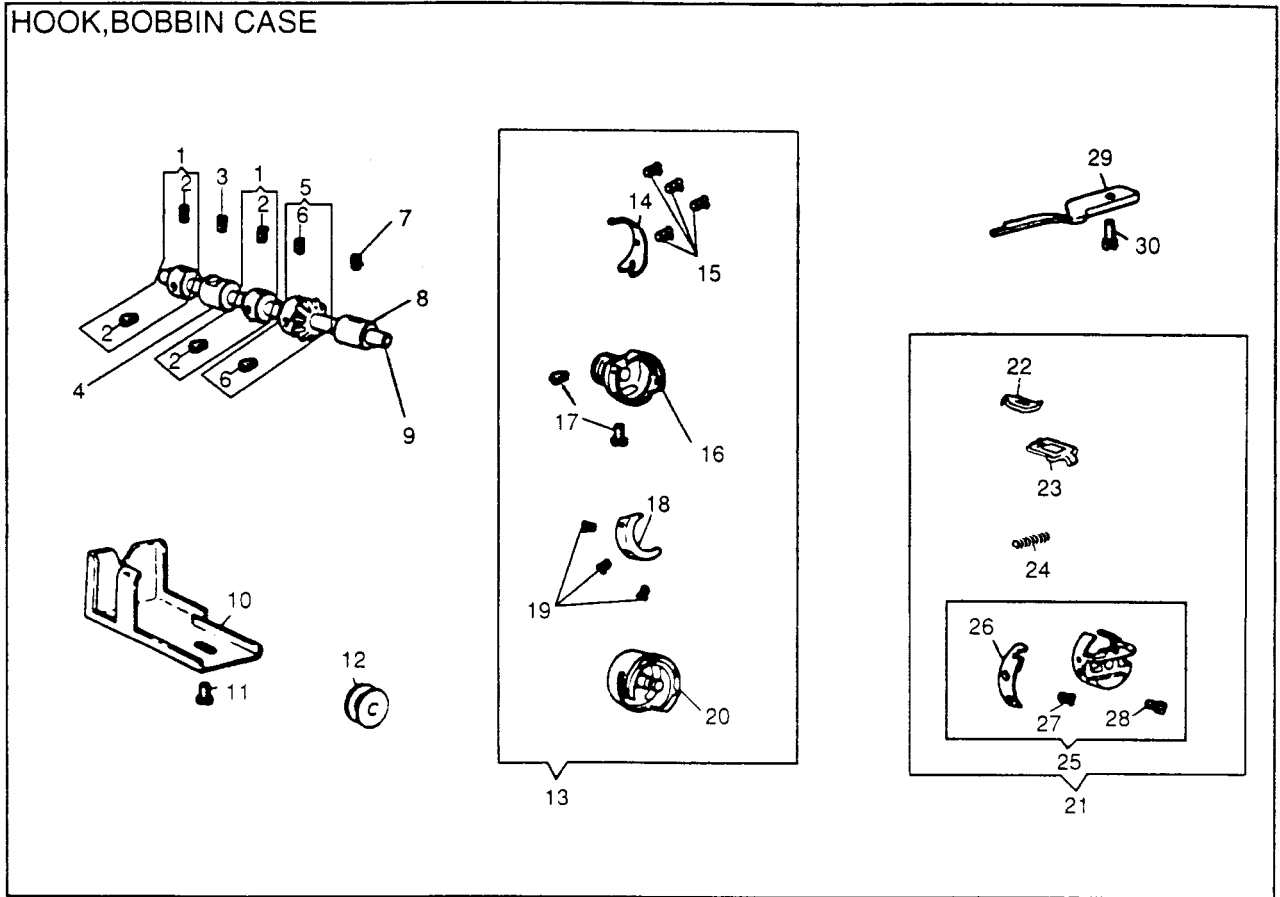


# ARM SHAFT(UPRIGHT),ROTATING HOOK DRIVE SHAFT



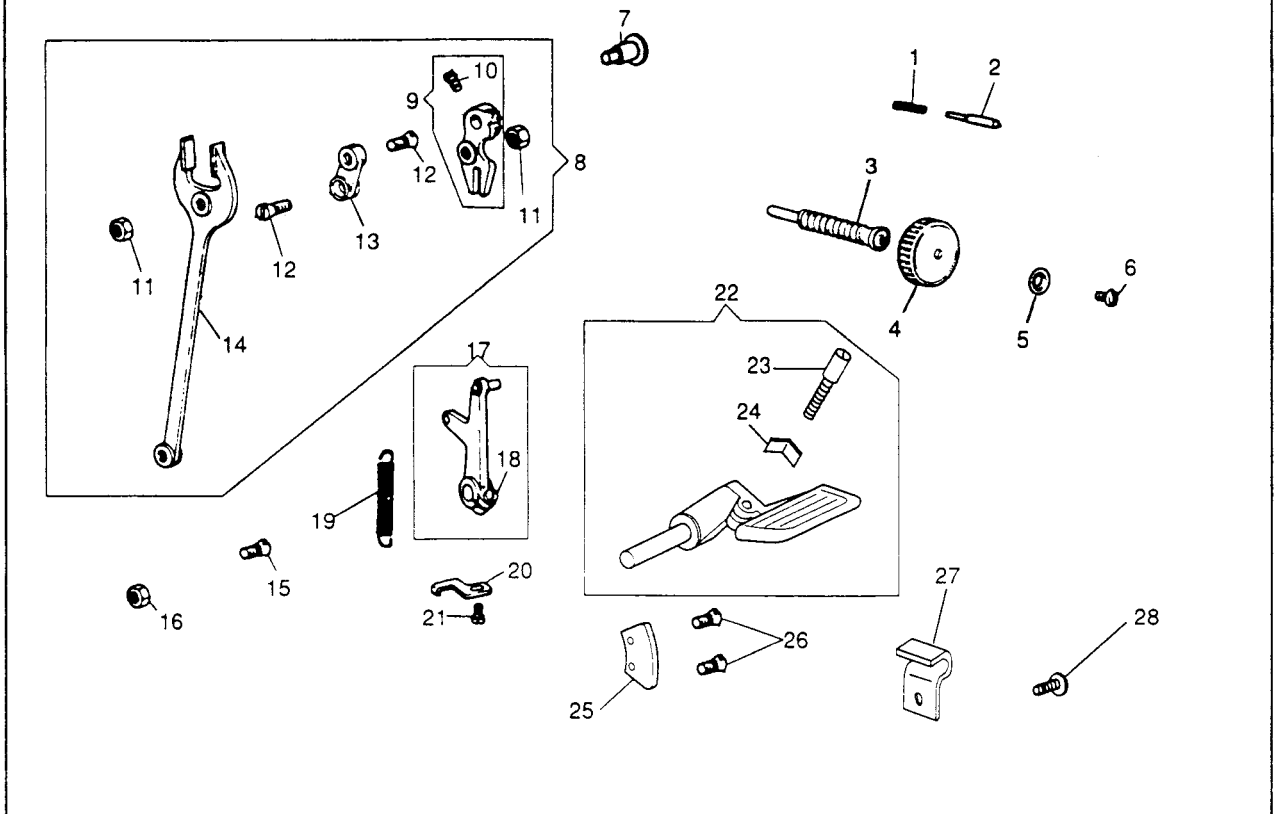
NO.	PART NO.	U51	U53	U62	U63	QTY	DESCRIPTION
1	541610	*	*	-	-	1	Arm Shaft (Upright) Bevel Gear (Upper) Comp.
2	504101	*	*	-	-	2	Arm Shaft (Upright) Bevel Gear (Upper) Set Screw
3	545767	*	*	-	-	1	Arm Shaft (Upright) Bushing (Upper)
4	541608	*	*	-	-	1	Arm Shaft (Upright)
5	545766	*	*	*	*	1	Arm Shaft (Upright) Bushing (Lower)
6	541609	*	*	-	-	1	Arm Shaft (Upright) Bevel Gear (Lower) Comp.
7	504101	*	*	-	-	2	Arm Shaft (Upright) Bevel Gear (Lower) Set Screw
8	544154	-	-	*	*	1	Hook Advance Crank Connecting Rod Hinge Screw
9	543928	-	-	*	*	1	Hook Advance Crank Connecting Rod
10	543904	-	-	*	*	1	Arm Shaft (Upright) Bevel Gear (Upper)
11	543907	-	-	*	*	1	Arm Shaft (Upright) Bushing (Upper)
12	504028	-	-	*	*	1	Arm Shaft (Upright) Bushing (Upper) Set Screw
13	543947	-	-	*	*	1	Arm Shaft Bevel Gear (Upper) Joint And Arm Shaft Retainer Joint
14	504102	-	-	*	*	2	Arm Shaft Bevel Gear (Upper) Joint Set Screw
15	504102	-	-	*	*	2	Arm Shaft Joint Set Screw
16	543908	-	-	*	*	1	Arm Shaft Connecting Stud
17	368386	-	-	*	*	1	Arm Shaft (Upright) Retain Coller Comp.
18	504102	-	-	*	*	2	Arm Shaft (Upright) Retain Coller Screw
19	543914	-	-	*	*	1	Arm Shaft (Upright) Screw Gear Comp.
20	504102	-	-	*	*	2	Arm Shaft (Upright) Screw Gear Screw
21	543955	-	-	*	*	1	Arm Shaft (Upright) Comp.
22	543956	-	-	*	*	2	Arm Shaft (Upright) Oil Wick
23	541684	*	*	-	-	1	Rotating Hook Drive Shaft Screw Gear (Back) Comp.
24	543944	-	-	*	*	1	Rotating Hook Drive Shaft Screw Gear (Back) Comp.
25	504101	*	*	*	*	2	Rotating Hook Drive Shaft Screw Gear (Back) Set Screw
26	541686	*	*	-	-	1	Rotating Hook Drive Shaft Bushing (Back)
	543952	-	-	*	*	1	Rotating Hook Drive Shaft Bushing (Back)
27	504002	*	*	*	*	1	Rotating Hook Drive Shaft Bushing (Back) Set Screw
28	368386	*	*	-	-	1	Rotating Hook Drive Shaft Retainer Coller Comp.
	368386	-	-	*	*	2	Rotating Hook Drive Shaft Retainer Coller Comp.
29	504102	*	*	-	-	2	Rotating Hook Drive Shaft Retainer Coller Set Screw
	504102	-	-	*	*	4	Rotating Hook Drive Shaft Retainer Coller Set Screw
30	541683	*	*	-	-	1	Rotating Hook Drive Shaft
	543942	-	-	*	*	1	Rotating Hook Drive Shaft
31	541923	*	*	*	*	1	Rotating Hook Drive Shaft Bushing (Front)
32	504002	*	*	*	*	1	Rotating Hook Drive Shaft Bushing (Front) Set Screw
33	541685	*	*	*	*	1	Rotating Hook Drive Shaft Bevel Gear (Front) Comp.
34	504101	*	*	*	*	2	Rotating Hook Drive Shaft Bevel Gear (Front) Set Screw

# HOOK, BOBBIN CASE



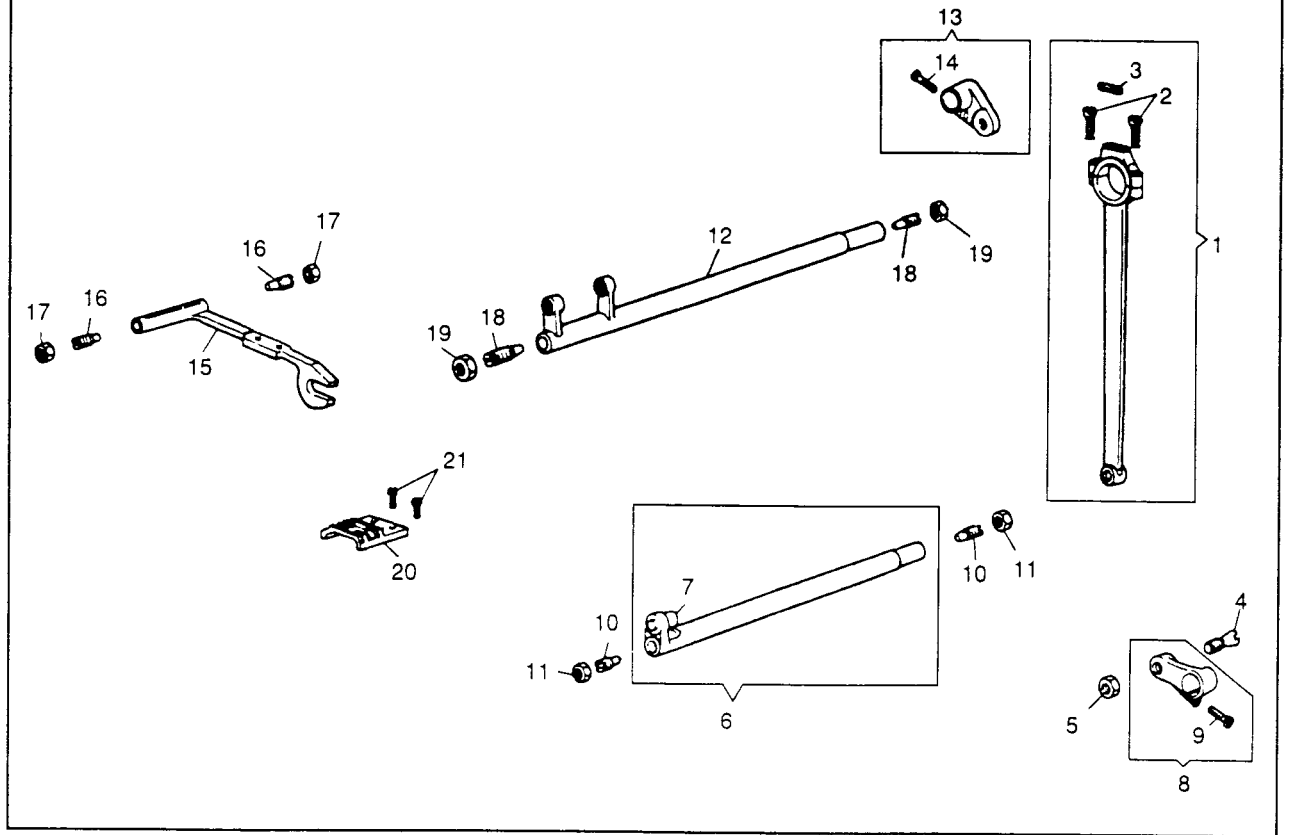
NO.	PART NO.	U51	U53	U62	U63	QTY	DESCRIPTION
1	541693	*	*	*	*	2	Rotating Hook Shaft Retainer Coller Comp.
2	504007	*	*	*	*	4	Rotating Hook Shaft Retainer Coller Screw
3	504134	*	*	*	*	1	Rotating Hook Shaft Bushing (Short) Set Screw
4	541692	*	*	*	*	1	Rotating Hook Shaft Bushing (Short)
5	541689	*	*	*	*	1	Rotating Hook Shaft Bevel Gear Comp.
6	504101	*	*	*	*	2	Rotating Hook Shaft Bevel Gear Set Screw
7	504134	*	*	*	*	1	Rotating Hook Shaft Bushing (Long) Set Screw
8	541924	*	*	*	*	1	Rotating Hook Shaft Bushing (Long)
9	541688	*	*	*	*	1	Rotating Hook Shaft
10	541690	*	*	*	*	1	Rotating Hook Shaft Bevel Gear Cover
11	504063-451	*	*	*	*	1	Rotating Hook Shaft Bevel Gear Cover Screw
12	55623	*	*	*	*	1	Rotating Hook Bobbin
13	410140-001	*	*	*	-	1	Rotating Hook And Rotating Hook Bobbin Case Holder Comp.
	410054-001	-	-	-	*	1	Rotating Hook And Rotating Hook Bobbin Case Holder Comp.
14	541694	*	*	*	*	1	Rotating Hook Thread Guard
15	504090	*	*	*	*	4	Rotating Hook Thread Guard Screw
16	410021	*	*	*	*	1	Rotating Hook Comp.
17	549397	*	*	*	*	2	Rotating Hook Set Screw
18	541765	*	*	*	-	1	Rotating Hook Section
	541978	-	-	-	*	1	Rotating Hook Section
19	504088	*	*	*	*	3	Rotating Hook Section Screw
20	541977	*	*	*	*	1	Rotating Hook Bobbin Case Holder
21	413489	*	*	*	*	1	Rotating Hook Bobbin Case Comp.
22	410027	*	*	*	*	1	Rotating Hook Bobbin Case Latch Lever (Upper)
23	410026	*	*	*	*	1	Rotating Hook Bobbin Case Latch Lever (Lower)
24	505356	*	*	*	*	1	Rotating Hook Bobbin Case Latch Spring
25	413490	*	*	*	*	1	Rotating Hook Bobbin Case (Body) Comp.
26	540767	*	*	*	*	1	Rotating Hook Bobbin Case Tension Spring
27	504086	*	*	*	*	1	Rotating Hook Bobbin Case Tension Regulating Screw
28	504087	*	*	*	*	1	Rotating Hook Bobbin Case Tension Spring Screw
29	543941	*	*	*	*	1	Rotating Hook Bobbin Case Holder Position Bracket
30	504084	*	*	*	*	1	Rotating Hook Bobbin Case Holder Position Bracket Screw

# FEED REGULATING DIAL, FEED REVERSE LEVER



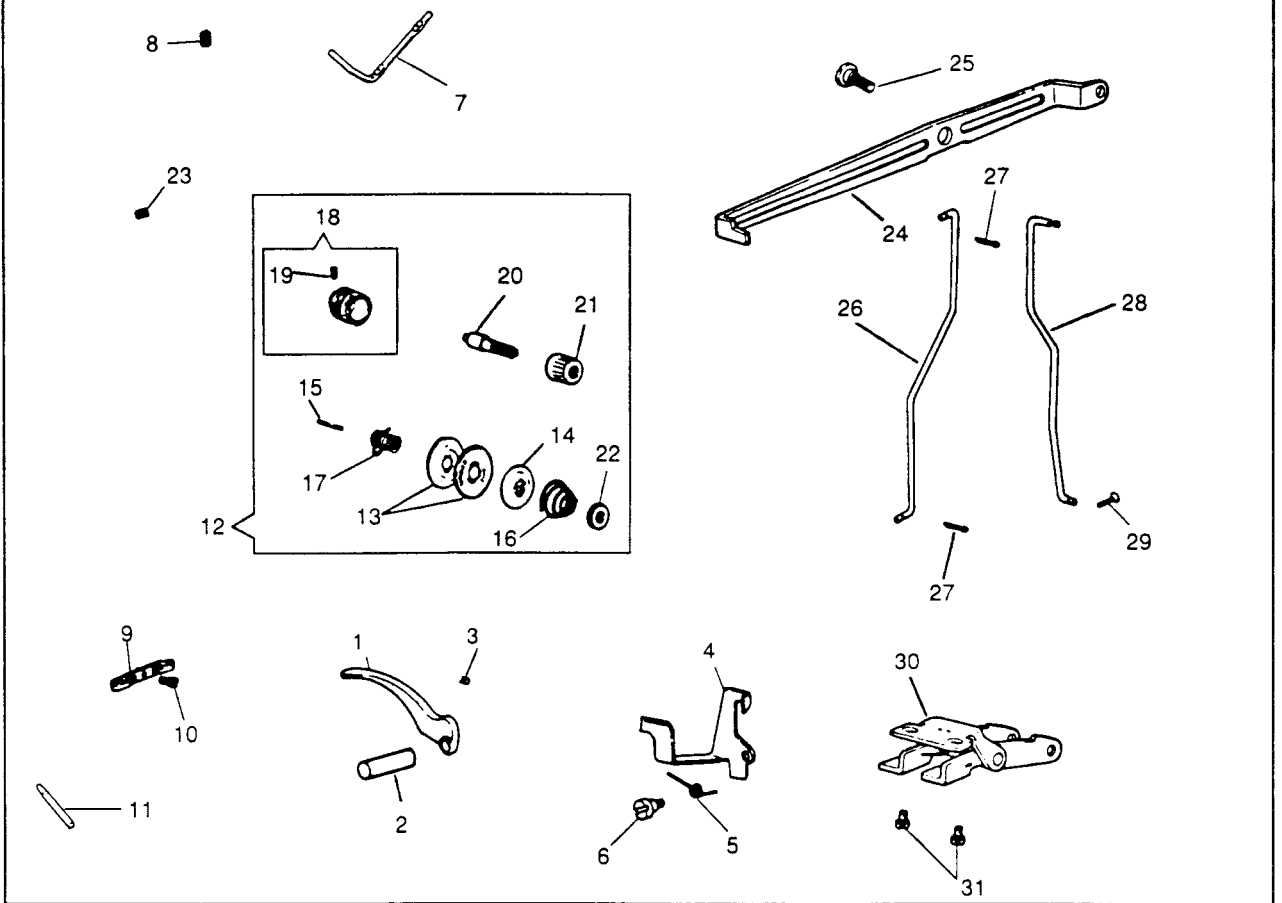
NO.	PART NO.	U51	U53	U62	U63	QTY	DESCRIPTION
1	545820	*	*	-	*	1	Feed Regulating Stud Lock Pin Spring
2	540435	*	*	-	*	1	Feed Regulating Stud Lock Pin
3	554137	*	*	-	*	1	Feed Regulating Stud
4	554138-383	*	*	-	*	1	Feed Regulating Dial
5	543803-004	*	*	-	*	1	Feed Regulating Dial Screw Washer
6	544218-053	*	*	-	*	1	Feed Regulating Dial Screw
7	541652	*	*	-	*	1	Feed Regulator Hinge Stud
8	541751	*	*	-	*	1	Feed Forked Connection Comp.
9	281820	*	*	-	*	1	Feed Regulator Comp.
10	545136-452	*	*	-	*	1	Feed Regulator Hinge Stud Set Screw
11	154981	*	*	-	*	2	Feed Connecting Link Hinge Screw Nut
12	154759	*	*	-	*	2	Feed Connecting Link Hinge Screw
13	56024	*	*	-	*	1	Feed Connecting Link
14	505322	*	*	-	*	1	Feed Forked Connection
15	154759	*	*	-	*	1	Feed Forked Connecting Hinge Screw
16	154981	*	*	-	*	1	Feed Forked Connecting Hinge Screw Nut
17	281817	*	*	-	*	1	Feed Reverse Lever Link Comp.
18	504071	*	*	-	*	1	Feed Reverse Lever Link Screw
19	541775	*	*	-	*	1	Feed Reverse Lever Return Spring
20	541779	*	*	-	*	1	Feed Reverse Lever Return Spring Bracket
21	504099	*	*	-	*	1	Feed Reverse Lever Return Spring Bracket Screw
22	554131-467	*	*	-	*	1	Feed Reverse Lever Comp.
23	374564	*	*	-	*	1	Feed Reverse Lever Adjusting Screw
24	554134	*	*	-	*	1	Feed Reverse Lever Adjusting Screw Friction
25	554136	*	*	-	*	1	Reverse Feed Indicator Plate
26	504010-453	*	*	-	*	2	Reverse Feed Indicator Plate Set Screw
27	554135	*	*	-	*	1	Feed Reverse Lever Adjusting Screw Stopper
28	554213-001	*	*	-	*	1	Feed Reverse Lever Adjusting Screw Stopper Set Screw

# FEED MECHANISM



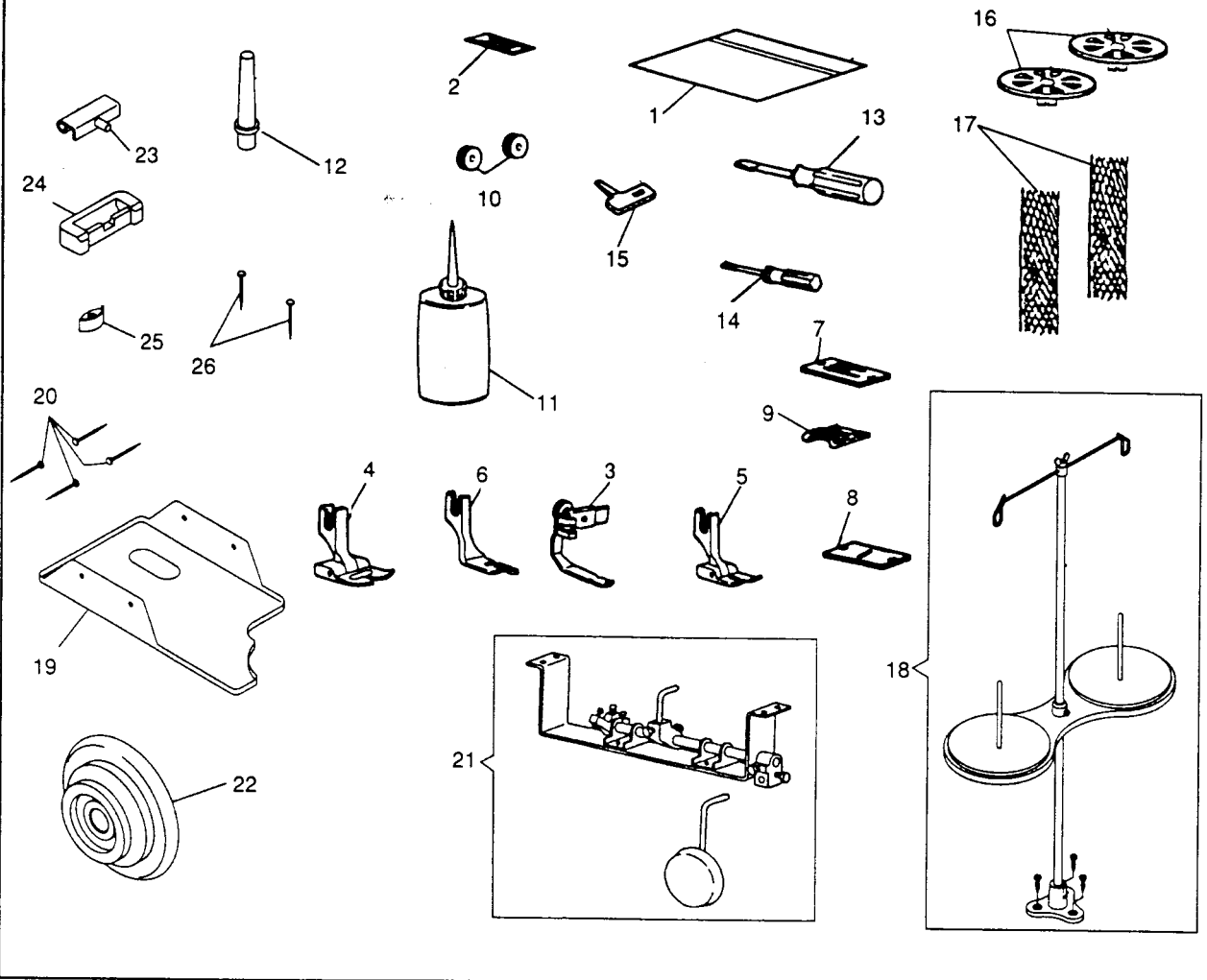
NO.	PART NO.	U51	U53	U62	U63	QTY	DESCRIPTION
1	505327	*	*	-	*	1	Feed Lifting Rock Shaft Crank Connecting Rod Comp.
2	504071	*	*	-	*	2	Feed Lifting Rock Shaft Crank Connecting Rod Cap Screw
3	505328	*	*	-	*	1	Feed Lifting Rock Shaft Crank Connecting Rod Cap Oil Pad (Felt)
4	154759	*	*	-	*	1	Feed Lifting Rock Shaft Crank Connecting Rod Hinge Screw
5	154981	*	*	-	*	1	Feed Lifting Rock Shaft Crank Connecting Rod Hinge Screw Nut
6	543971	*	*	-	*	1	Feed Lifting Rock Shaft Comp.
7	504751	*	*	-	*	1	Feed Lifting Rock Shaft Roller And Stud
8	505326	*	*	-	*	1	Feed Lifting Rock Shaft Crank Comp.
9	545043	*	*	-	*	1	Feed Lifting Rock Shaft Crank Clamping Screw
10	504072	*	*	-	*	2	Feed Lifting Rock Shaft Screw Center
11	374508	*	*	-	*	2	Feed Lifting Rock Shaft Screw Center Nut
12	546784	*	*	-	*	1	Feed Rock Shaft
13	505335	*	*	-	*	1	Feed Rock Shaft Crank Comp.
14	545043	*	*	-	*	1	Feed Rock Shaft Crank Clamping Screw
15	541646	*	*	-	*	1	Feed Bar
16	504068	*	*	-	*	2	Feed Bar Screw Center
17	504502	*	*	-	*	2	Feed Bar Screw Center Nut
18	504072	*	*	-	*	2	Feed Rock Shaft Screw Center
19	374508	*	*	-	*	2	Feed Rock Shaft Screw Center Nut
20	541647	*	*	-	-	1	Feed Dog
	543978	-	-	-	*	1	Feed Dog
21	549376	*	*	-	*	2	Feed Dog Screw

PRESSER BAR LIFTER, TENSION



NO.	PART NO.	U51	U53	U62	U63	QTY	DESCRIPTION
1	52016	*	*	-	*	1	Presser Bar Lifter
2	546824	*	*	-	*	1	Presser Bar Lifter Pin
3	504028	*	*	-	*	1	Presser Bar Lifter Pin Screw
4	410015	*	*	-	*	1	Tension Releasing Lever
5	541701	*	*	-	*	1	Tension Releasing Lever Spring
6	374507	*	*	-	*	1	Tension Releasing Lever Hinge Screw
7	410143	*	*	*	*	1	Thread Retainer
8	504007	*	*	*	*	1	Thread Retainer Set Screw
9	540472	*	*	*	*	1	Thread Guard (Upper)
10	504063-451	*	*	*	*	1	Thread Guard (Upper) Set Screw
11	410142	*	*	*	*	1	Thread Guard Pin
12	281816-452	*	*	*	*	1	Tension Comp.
13	2102	*	*	*	*	2	Tension Disc
14	414273	*	*	*	*	1	Tension Releasing Disc
15	541702	*	*	*	*	1	Tension Releasing Pin
16	540682	*	*	*	*	1	Tension Spring
17	32758	*	*	*	*	1	Therad Take-up Spring
18	413499	*	*	*	*	1	Therad Take-up Spring Regulator Comp.
19	504047	*	*	*	*	1	Tension Stud Set Screw
20	545898	*	*	*	*	1	Tension Stud
21	413500-452	*	*	*	*	1	Tension Regulating Thumb Nut
22	411154	*	*	*	*	1	Tension Releasing Thumb Nut Washer
23	504002	*	*	*	*	1	Therad Take-up Spring Regulator Set Screw
24	410037	*	*	-	*	1	Lifting Lever
25	549389	*	*	-	*	1	Lifting Lever Hinge Screw
26	410038	*	*	-	*	1	Lifting Lever Connecting Rod
27	546831	*	*	-	*	2	Lifting Lever Connecting Rod Pin
28	410039	*	*	*	*	1	Bight Amplitude Slide Block Crank Knee Operating Connection
29	546831	*	*	*	*	1	Bight Amplitude Slide Block Crank Knee Operating Connection Pin
30	410040	*	*	*	*	1	Bell Crank Comp.
31	504099	*	*	*	*	2	Bell Crank Bracket Screw

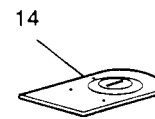
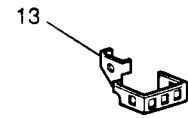
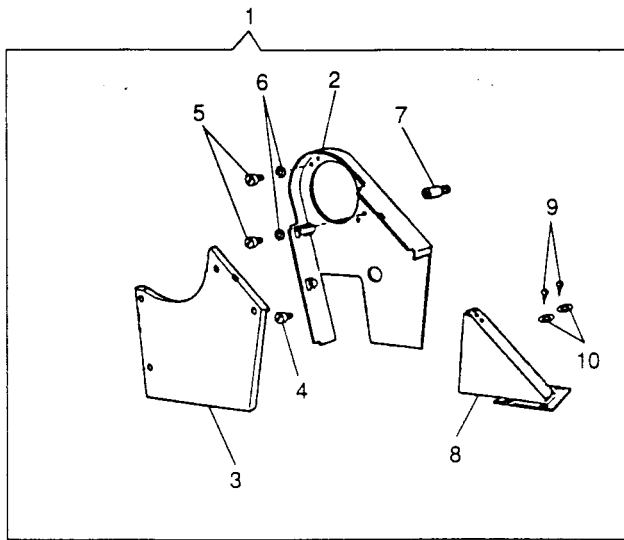
# ACCESSORIES AND ATTACHMENT



NO.	PART NO.	U51	U53	U62	U63	QTY	DESCRIPTION
1	414301	*	*	*	*	1	Accessory Box
2	N1910-0510	-	-	*	-	3	Needle (Size #10)
	N1910-0514	*	*	-	*	3	Needle (Size #14)
3	541736-001	*	*	-	*	1	Zipper Foot
4	541781	*	*	-	*	1	Presser Foot (Spring Hinged) Comp. (for Bottom holing)
5	410112	*	*	-	*	1	Presser Foot (Spring Hinged) Comp. (for Straight Stitching)
6	410192	*	*	-	*	1	Hemmer Foot Complete
7	541937-452	*	*	-	*	1	Throat Plate (for Straight Stitching)
8	543979	*	*	-	*	1	Throat Plate (for Embroidery)
9	541734	*	*	-	*	1	Feed Dog (for Straight Stitching)
10	55623	*	*	*	*	2	Rotating Hook Bobbin
11	413448-002	*	-	-	-	1	Oiler (80cc filled with singer type C-oil) (for Treadle Operation)
	413448-001	-	*	*	*	1	Oiler (80cc filled with singer type B-oil) (for Motor Drive)
12	410186	*	*	*	*	1	Machine Rest Pin (for Motor Drive)
13	541558	*	*	*	*	1	Screw Driver (large)
14	541514	*	*	*	*	1	Screw Driver (small)
15	541561	*	*	-	*	1	Screw Driver (for Throat Plate)
16	546894	*	*	*	*	2	Thread Unwinder Spool Cap
17	543131	*	*	*	*	2	Thread Unwinder Spool Net
18	505656-007	*	*	*	*	1	Thread Unwinder Complete (for Two Spools)
19	543946	*	*	*	*	1	Drip Pan
20	546920-001	*	*	*	*	4	Drip Pan Nail (#16 x 20)
21	281824	*	*	*	*	1	Knee Lifter Knee Plate Arm Comp.
22	546827-467	*	-	-	-	1	Hand wheel (for Treadle Operation)
23	540522	*	*	*	*	2	Machine Hinge
24	540523	*	*	*	*	2	Machine Hinge Cushion
25	540521	*	*	*	*	4	Machine Cushion
26	546920-002	*	*	*	*	6	Nail

From the library of: Diamond Needle Corp

PARTS AVAILABLE AT EXTRA CHARGE



NO.	PART NO.	U51	U53	U62	U63	QTY	DESCRIPTION
1	281840-383	-	*	*	*	1	Belt Guard Comp.
2	281833-383	-	*	*	*	1	Belt Guard (Upper)
3	281834-383	-	*	*	*	1	Belt Guard (Upper) Cover
4	549116	-	*	*	*	1	Belt Guard (Upper) Screw
5	504145-451	-	*	*	*	2	Belt Guard (Upper) Screw
6	543875-104	-	*	*	*	2	Belt Guard (Upper) Screw Washer
7	544241	-	*	*	*	1	Belt Guard (Upper) Screw Stud
8	281835-383	-	*	*	*	1	Belt Guard (Lower)
9	544222	-	*	*	*	2	Belt Guard (Lower) Wood Screw
10	543803-003	-	*	*	*	2	Belt Guard (Lower) Wood Screw Washer
11	541515-001	*	*	-	*	1	Cloth Guide
12	504030	*	*	-	*	1	Cloth Guide Thumb Screw
13	281822	*	*	-	*	1	Finger Guard
14	410076	-	-	-	*	1	Throat Plate Comp. (for Embroidery)